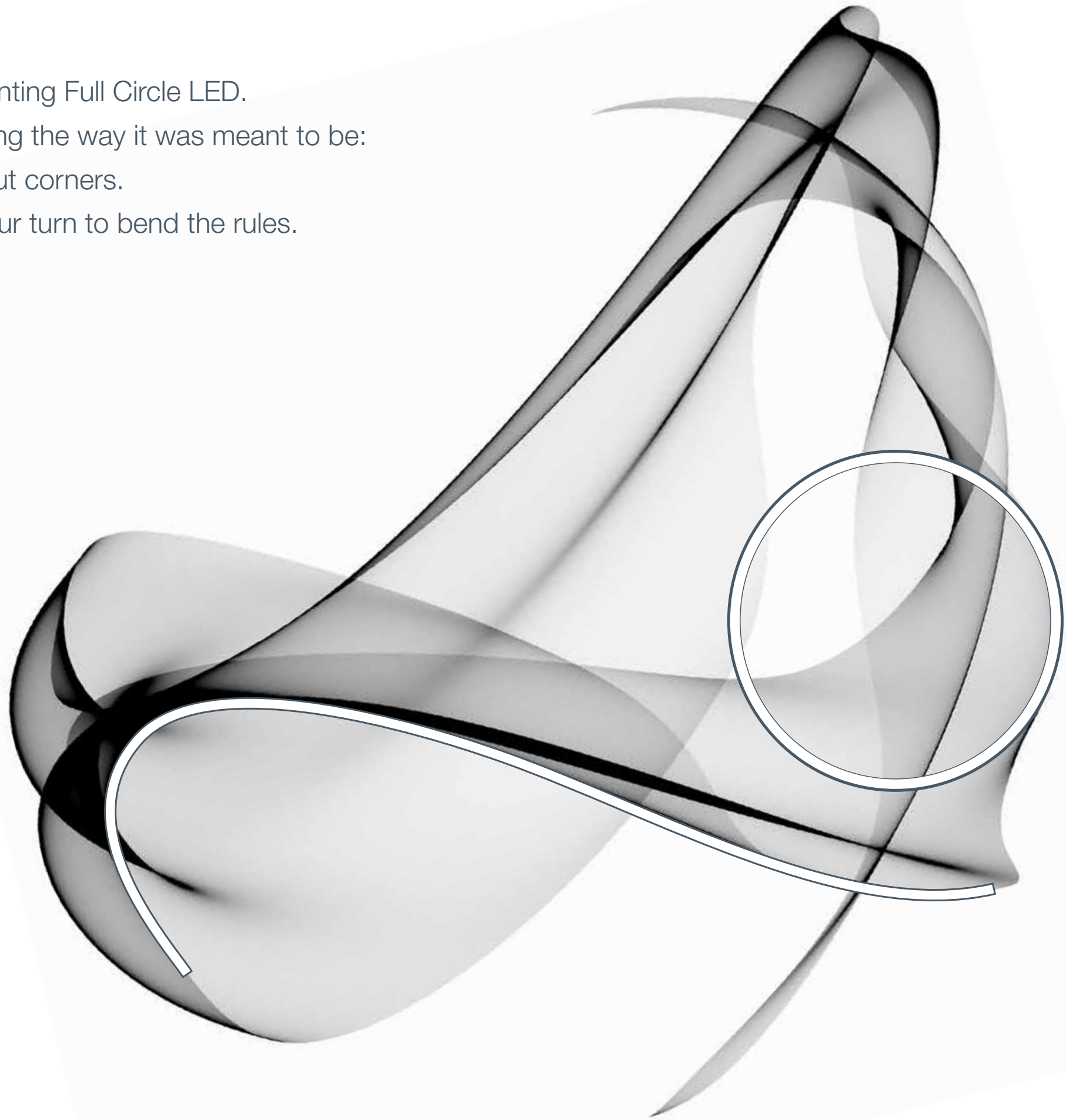


MARK ARCHITECTURAL LIGHTING™



FULL CIRCLE LED

Presenting Full Circle LED.
Lighting the way it was meant to be:
without corners.
It's your turn to bend the rules.



Throw lighting a **curve**

Bend The Rules	3
Specifications	4
Key Features	8
Installation	10
Collaboration	14



Lines of
distinction



Anything a designer can imagine can be brought to life with Full Circle's super-efficient LED technology.

The designer's sketchpad

Full Circle LED luminaires are available as:

- Circular Luminaires
- Arc Sections
- Straight Sections
- Organic Shapes

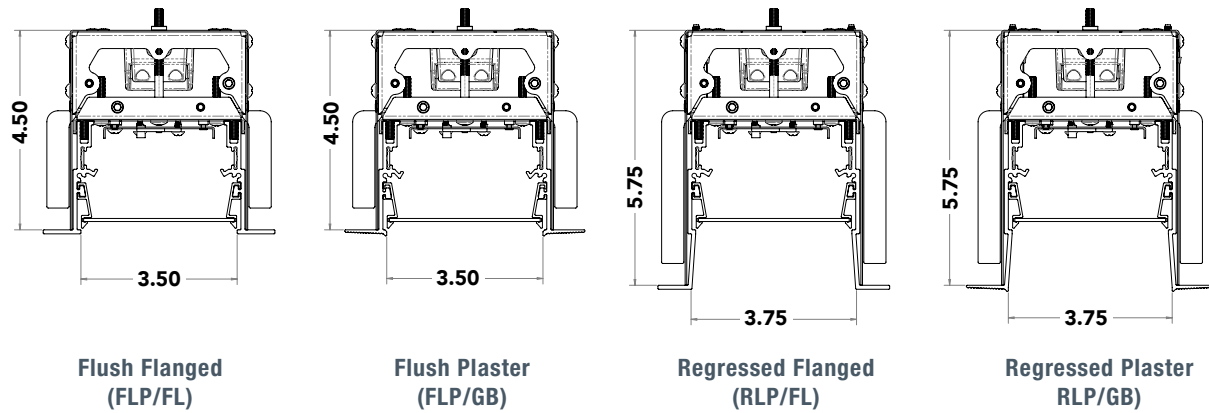
Circles with diameters from 2' to 20' nominal, straight and radius segments can be combined to form unique lighting combinations. Creativity is boundless with organic shapes that make your visions a reality.



The dimension lines above are not part of the design and are for reference only.



Beauty in the details



Flush Flanged (FLP/FL)

Flush Plaster (FLP/GB)

Regressed Flanged (RLP/FL)

Regressed Plaster (RLP/GB)

Fixture Performance

Lumen Output	400 LMF	600 LMF	800 LMF	1000 LMF
Delivered Lumens/Ft	651	1072	1442	1785
Input Watts/Ft	7.6	12.7	18.2	23.9
Lumens/Watt	85.6	84.4	79.2	74.7

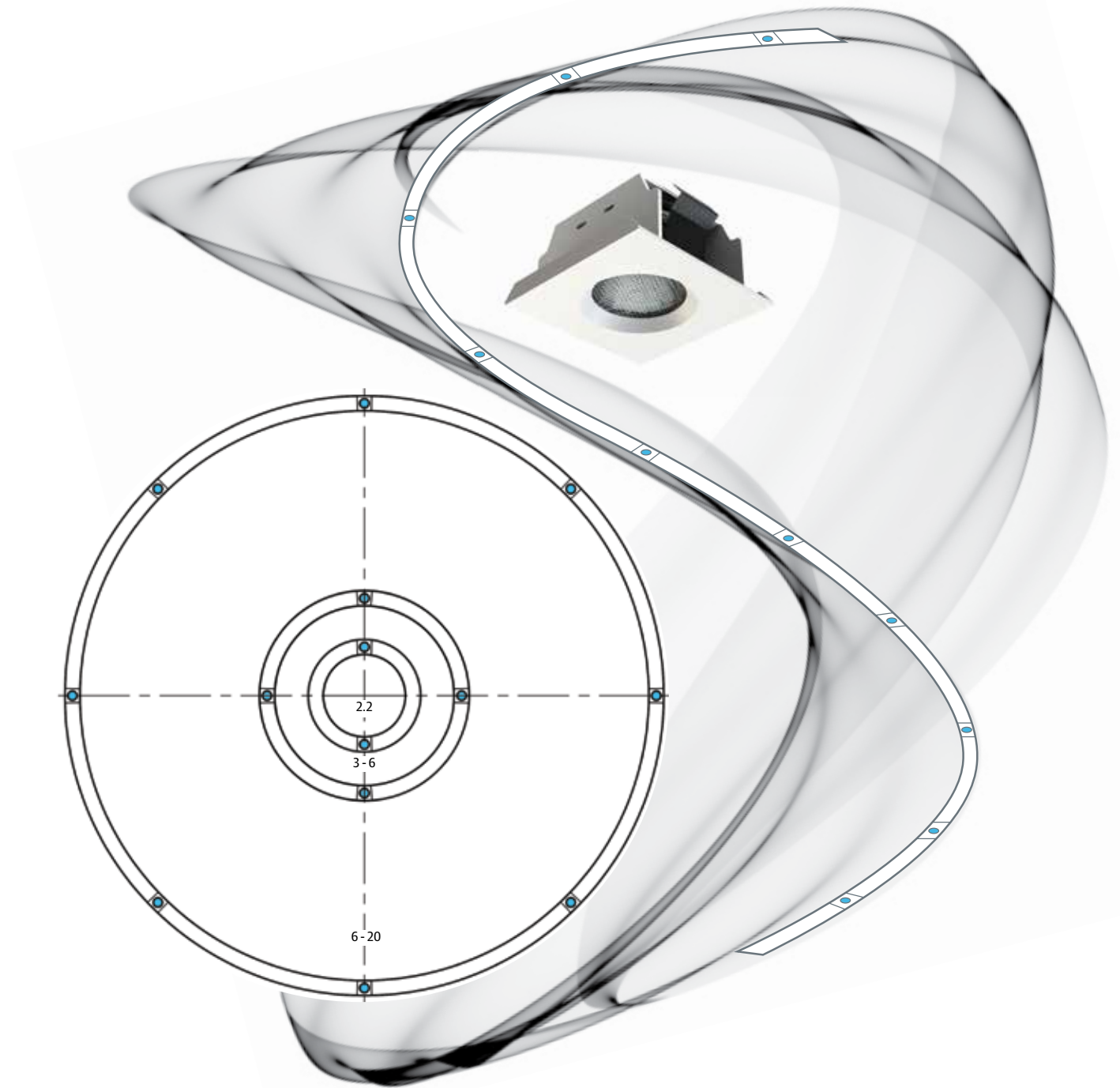
Values shown for FCL ARC FLP 6RAD 80CRI 35K
 * Consult factory for actual LM-79 data

Grid Mounting

The configurable design allows arced and straight sections to be combined to create shapes and poly-lines of light.



Regressed Flanged (RLP/FL)



Downlight Modules

Integrated downlight modules can be designed any where along the length of the fixture with a minimum spacing of 2'0" on center. Standard configurations for diameters are as follows:

- 2' dia. - 2 downlight modules
- 3'- 4' dia. - 4 downlight modules
- 6' - 20' dia. - 8 downlight modules

Innovation and intelligence

Superior Dimming Control

Constant current LED driver offers programmed dimming and an unsurpassed, smooth dimming experience all the way down to 0.1%.

nLight® Intelligent Controls

nLight is an intuitive yet complete lighting controls system that alleviates incompatibility issues and simplifies commissioning. Full Circle LED luminaires can be specified as nLight enabled to provide:

- Compatibility with the entire suite of nLight control devices — photo and occupancy detection sensors, wall-mount station controls, etc.
- Digitally addressable devices capable of communicating with each other within a room, across several spaces or throughout an entire building
- Connectivity via standard Cat-5e cabling
- True plug-and-play convenience with linked devices that automatically “discover” each other
- Anywhere/anytime remote-user access and management via nLight software, SensorView, that enables facility managers to optimize energy savings, perform system upgrades and conduct real-time, performance analyses and reporting

A+ Certified Solutions

A+ Certified™ solutions from Acuity Brands help you quickly and confidently select and implement lighting systems, for indoor or outdoor applications, that are both compatible and consistent.

eldoLED®
your product | our drive



COMPATIBILITY



DIGITAL COMMUNICATION



CAT5



PLUG & PLAY



REMOTE USER ACCESS

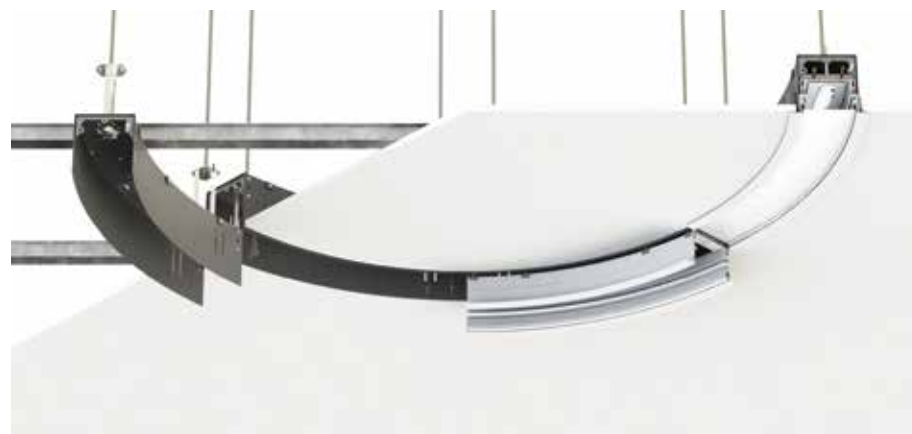


nLight lighting control options provide daylight dimming, occupancy detection and constant lumen management.

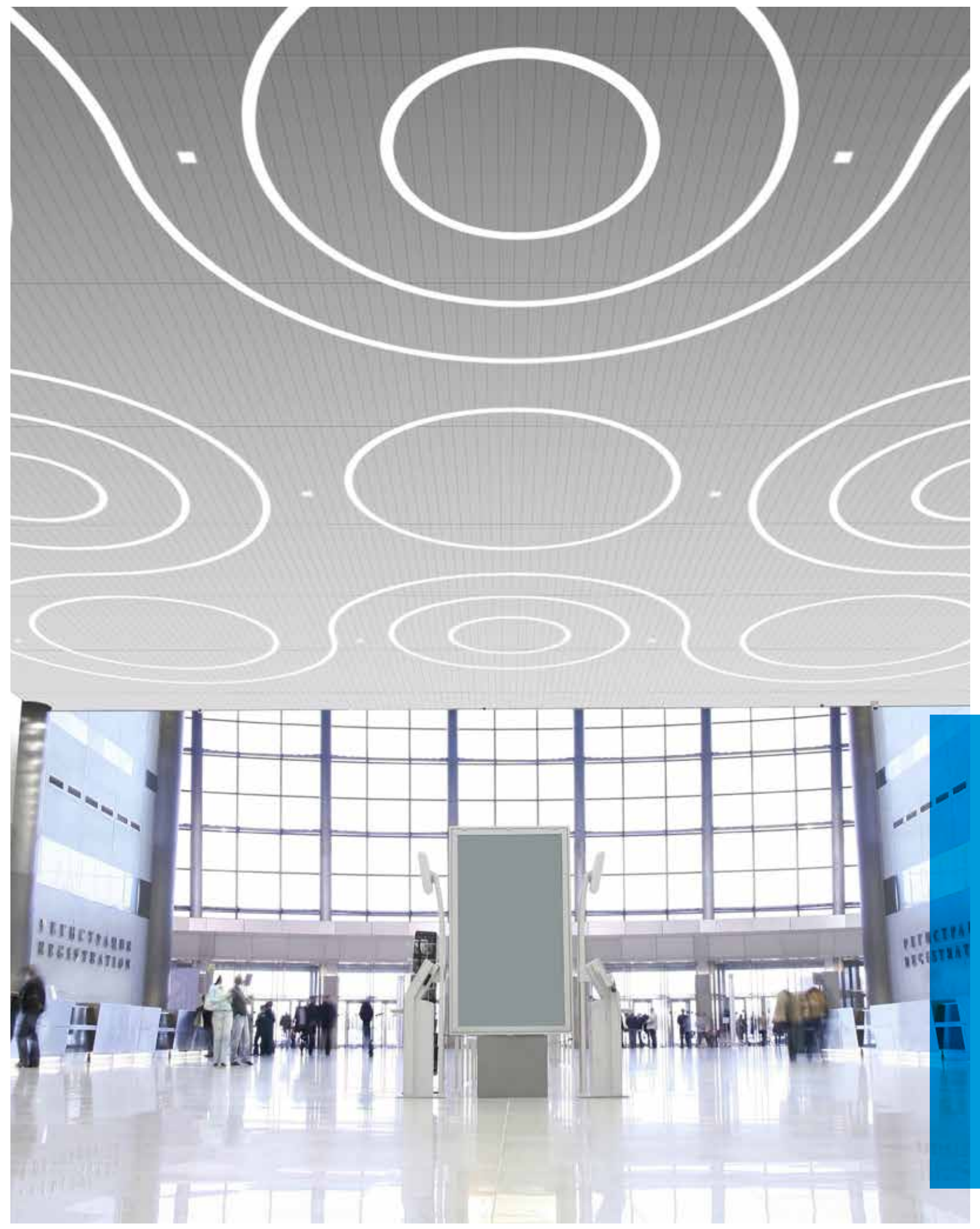
User friendly installation

Installation concerns are no longer an issue with Full Circle LED's proprietary installation method. Simply hang the fixture housing, create the template and cut, and then raise the housing. Once the housing is raised, a single twist secures it in place. The light engine is installed after drywall is complete.

Full Circle LED can also be mounted with a grid interface.



Design
comes full circle



Make your mark

Mark Architectural Lighting is a willing partner through all phases of the design and construction process. We believe that a great project is more than just a great product.

Collaborating with discerning designers and architects who design purpose-driven interior environments, we offer a comprehensive portfolio of state-of-the-art products, with elegant aesthetics designed to achieve maximum performance. We make their lives easier with our modifications and custom products, integrated technology and support services.

For contractors, we understand complex project schedules and offer timely delivery and ease of installation.

For owners, we provide the confidence of knowing that Acuity stands behind your installation.

We make great design happen... turning your vision into reality easier, faster and more beautiful than ever.



A+ Certified™ solutions from Acuity Brands help you quickly and confidently select and implement lighting systems, for indoor or outdoor applications, that are both compatible and consistent.

For lighting applications, A+ means verified consistent performance, visual appearance and system interoperability of all luminaires and controls within the certified solution. For lighting professionals, it means confidence that all parts of the lighting system will work together and meet common Acuity Brands specifications.

Go to www.acuitybrands.com/aplus or contact your local Acuity Brands representative for more information.



MARK ARCHITECTURAL LIGHTING™

marklighting.com